

ADDENDUM #8



PROJECT: 6700 Road Extension
BID NO: 22-026
FROM: Scott Murphy
DATE: January 5, 2023

Questions and Answers

1. *Could you provide more information on the butterfly valve assemblies? The plans did not include a detail.*

Answer: Our apologies, this was an omission from the plans. A butterfly valve detail for this project is included as an attachment to this addendum and these will be incorporated into the issued for construction plans. Payment for the butterfly valve line item shall include the valve, associated hardware, pipe support, vault, link-seals, excavation, and vault leveling gravel.

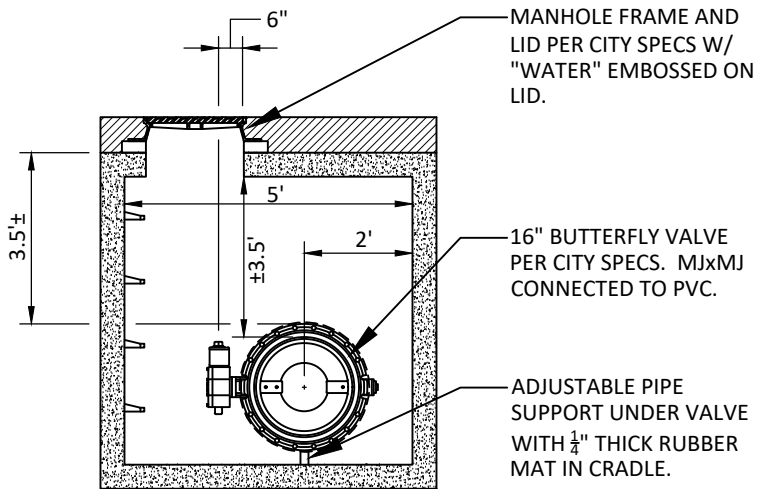
Acknowledgement in Receipt of Addendum

FIRM NAME: _____

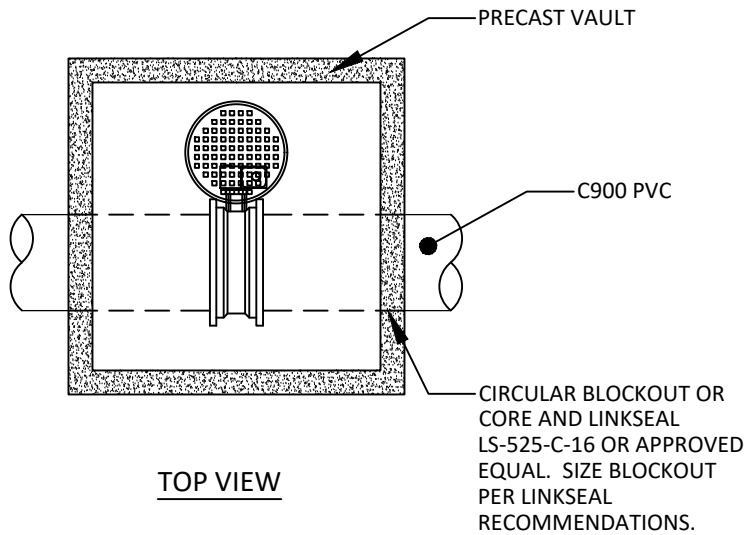
BY:(Printed) _____

BY:(Signature) _____ TITLE: _____

Note: A signed acknowledgement in receipt of this addendum **MUST** be included with your bid proposal.



SIDE VIEW



TOP VIEW



CITY OF MONTROSE
 ENGINEERING DEPARTMENT
 1221 64.50 RD.
 MONTROSE, CO 81401
 PH: 240-1480 FAX: 252-4780
 WWW.CITYOFMONTROSE.ORG

6700 ROAD EXTENSION
 ADDENDUM NO 8
 MONTROSE, COLORADO
BUTTERFLY VALVE DETAIL

FIGURE
1