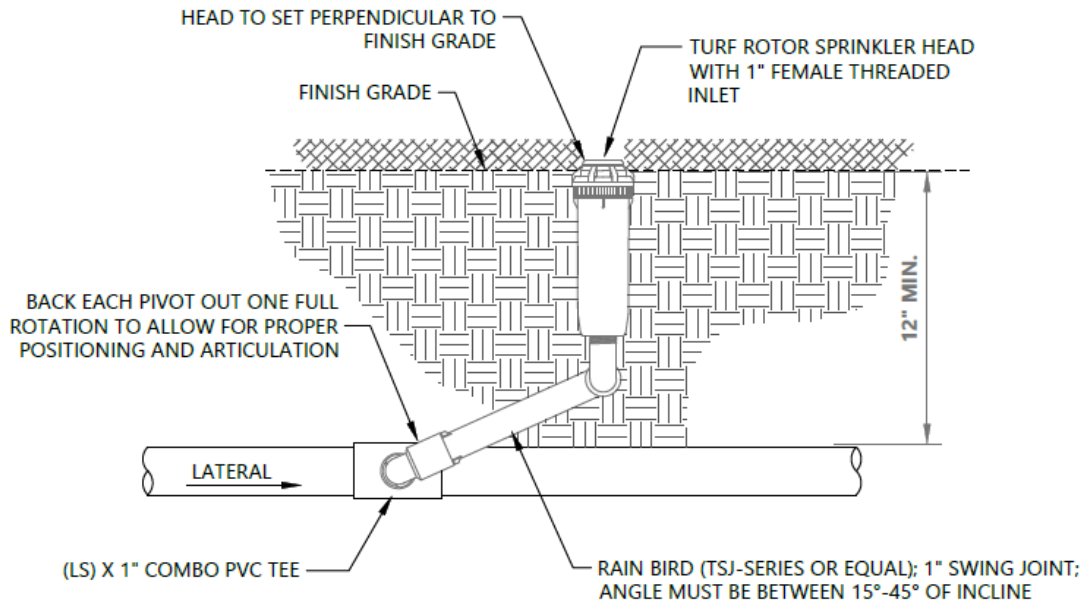


Exhibit E

Details for Irrigation Specifications



Buckley/Lions Irrigation Upgrade Scope of work



- NOTES: 1) DO NOT USE TEFLON TAPE ON SWING JOINT CONNECTIONS.
 2) DO NOT USE PIPE DOPE OR PASTE ON SWING JOINT CONNECTIONS.
 3) ROTOR HEADS REQUIRING 6 GPM OR OVER SHALL BE INSTALLED WITH 1" SWING JOINTS.

(VS)=VALVE SIZE

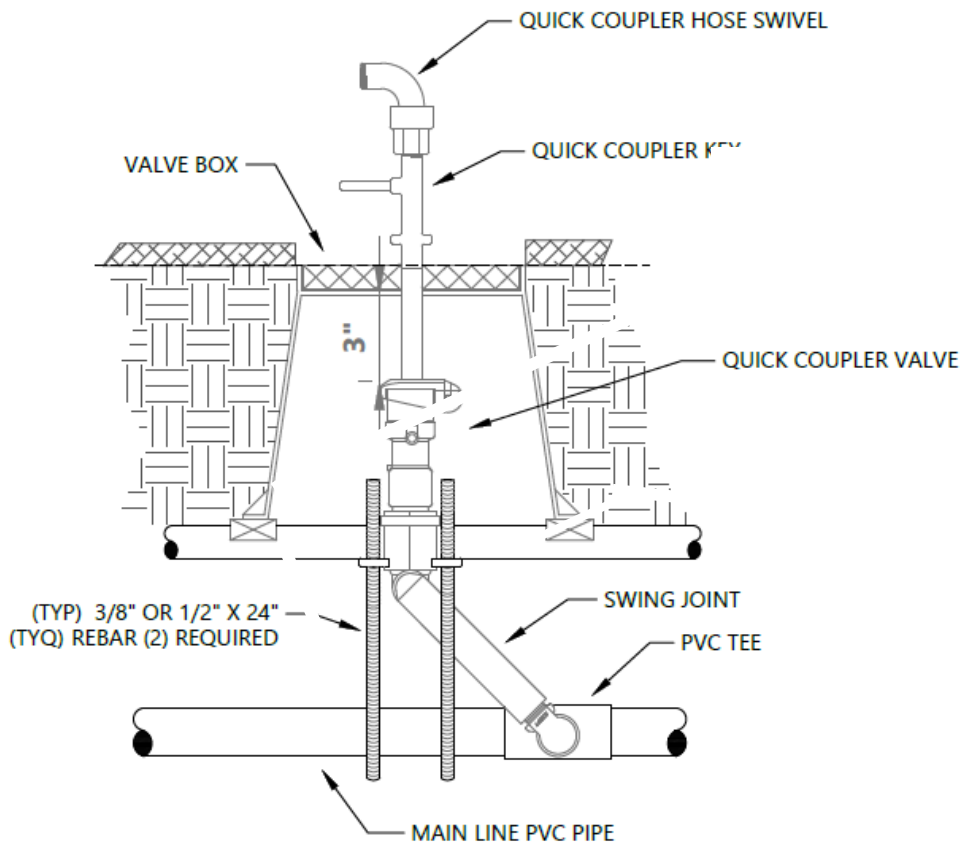
(LS)=LATERAL SIZE

(MS)=MAIN LINE SIZE

1	TURF ROTOR ON 1" SWING JOINT
IR-6	N.T.S. 1 1/2" = 1'-0" 328403.16-21



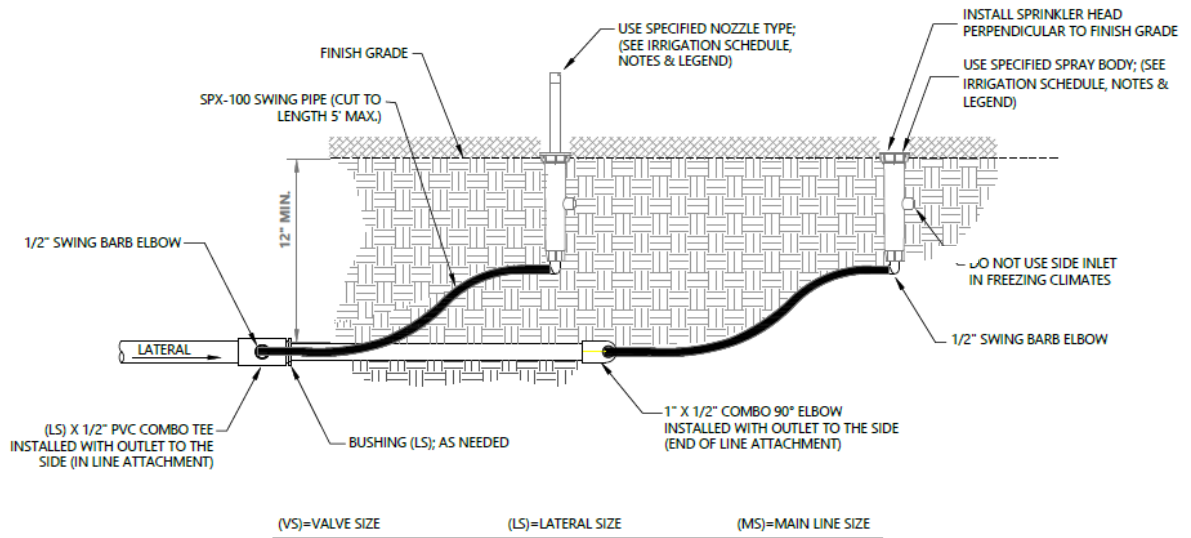
Figure 1



4	QUICK COUPLER ON SWING JOINT	
IR-6	N.T.S 1" = 1'-0"	328406.43-07



FIGURE 2



2	SPRAY BODY ON SWING PIPE PVC FITTINGS INSTALLED WITH OUTLET ON SIDE
IR-6	N.T.S. 1 1/2" = 1'-0"

FIGURE 3



Buckley/Lions Irrigation Upgrade Scope of work

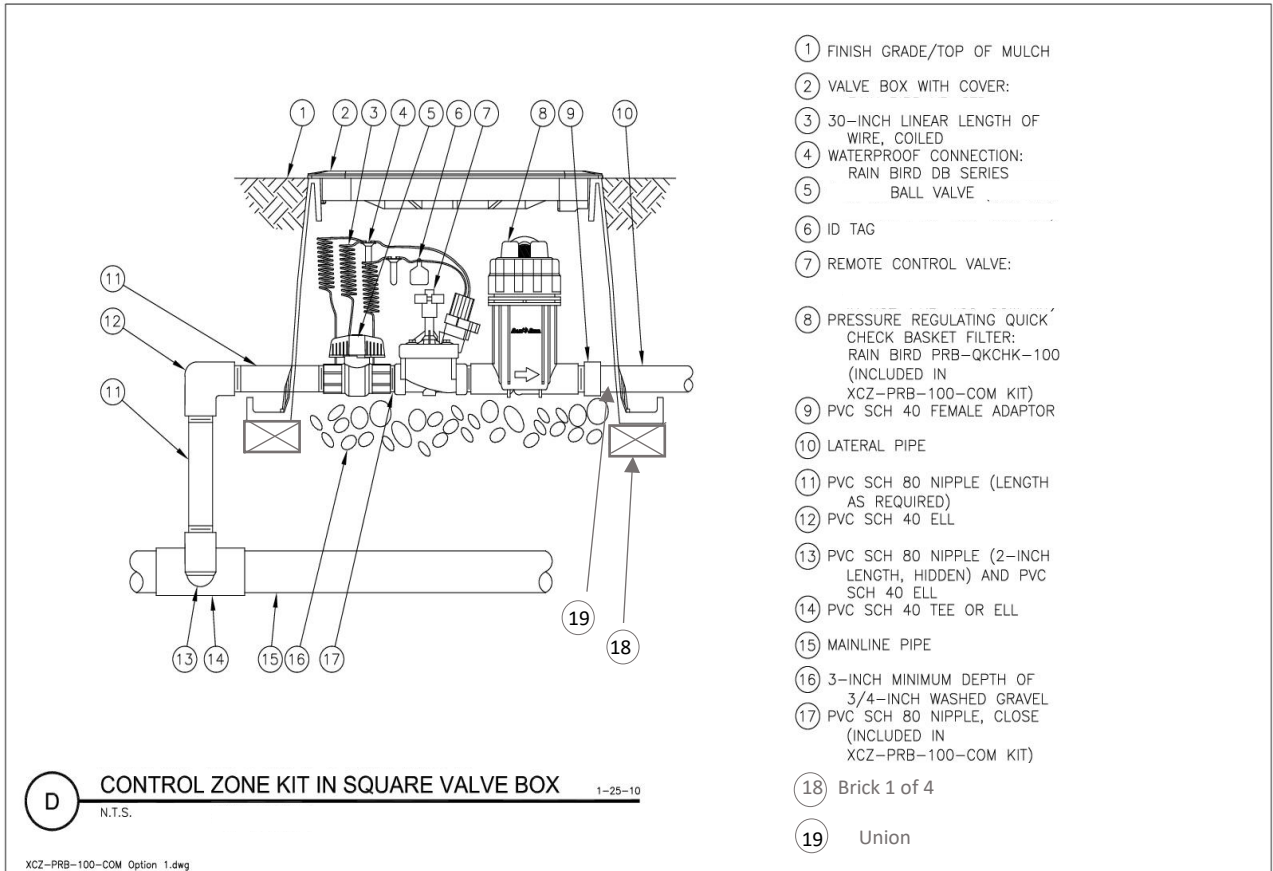
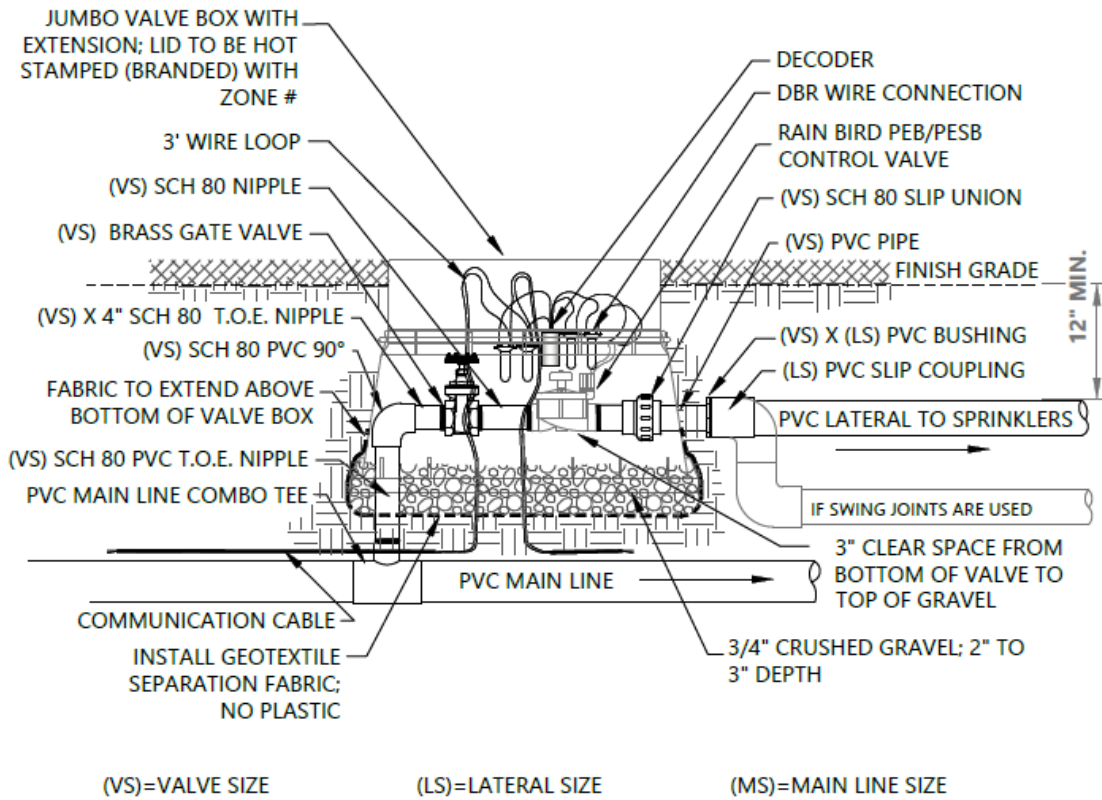


FIGURE 4



Buckley/Lions Irrigation Upgrade Scope of work



3	RAINBIRD CONTROL VALVE W/ DECODER	
IR-6	1" = 1'-0"	328406.13-11

FIGURE 5



Buckley/Lions Irrigation Upgrade Scope of work

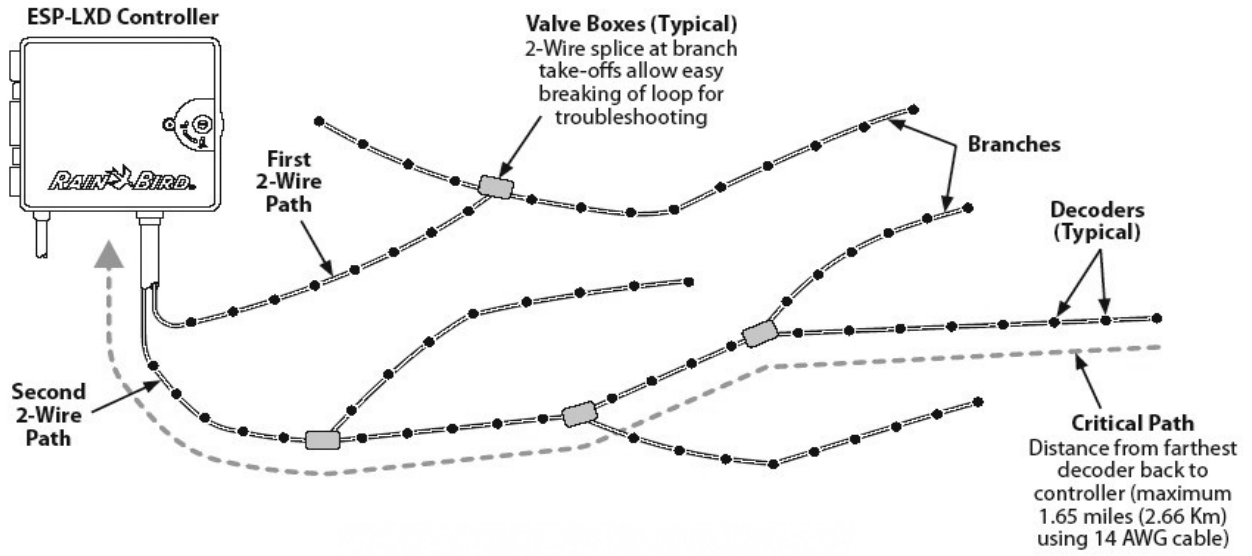
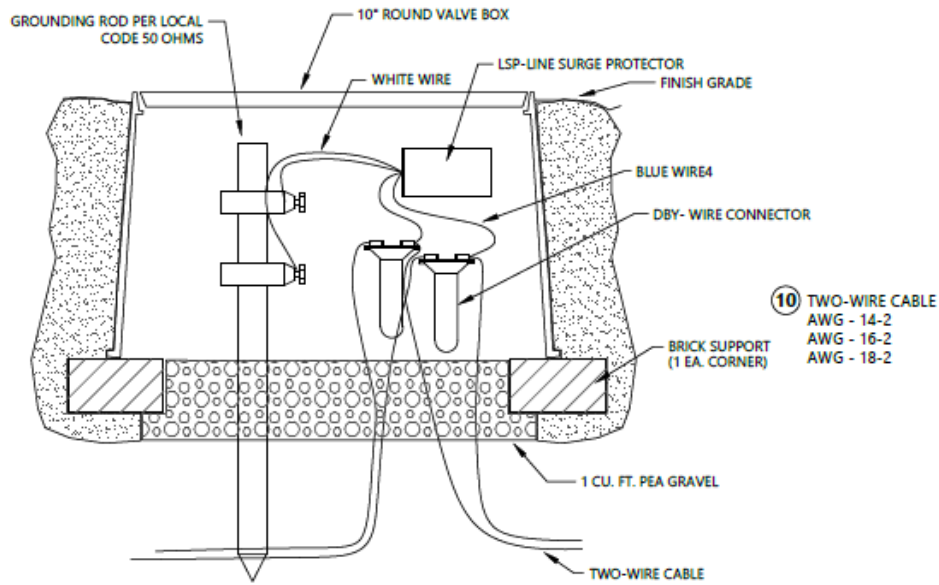


Figure 6



Buckley/Lions Irrigation Upgrade Scope of work



12	LINE SURGE PROTECTION WITH GROUNDING ROD
IR-7	N.T.S.

Figure 7

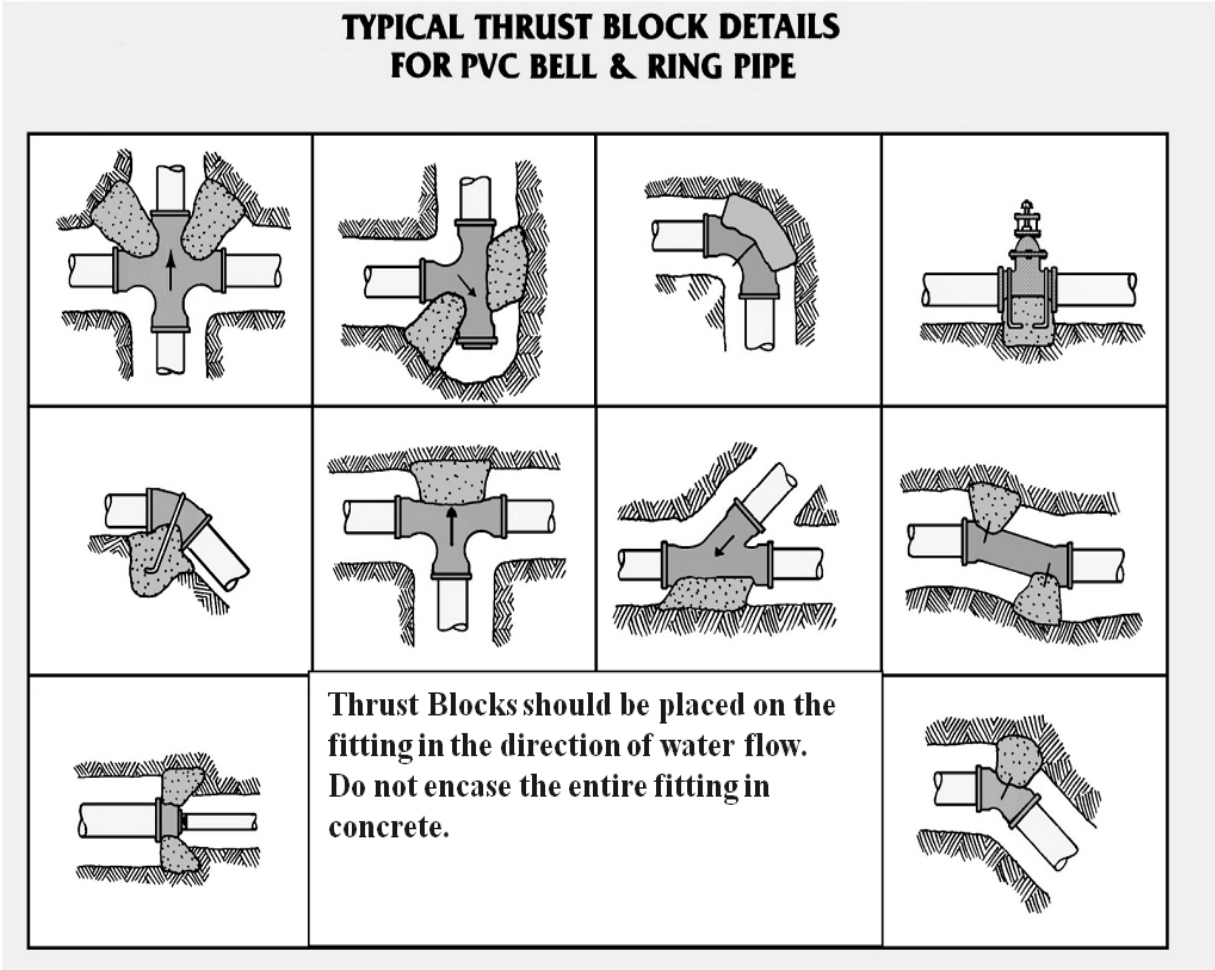


Figure 8