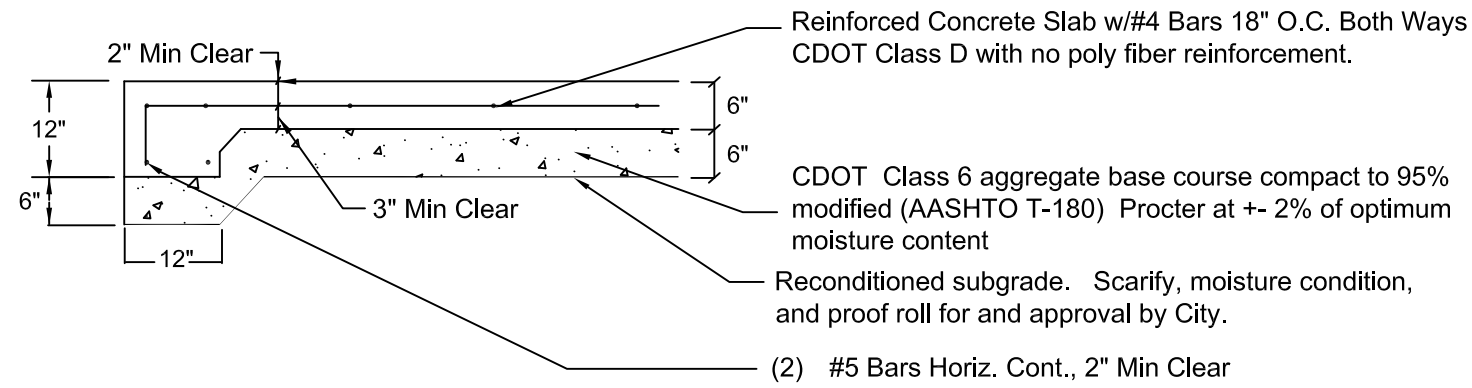
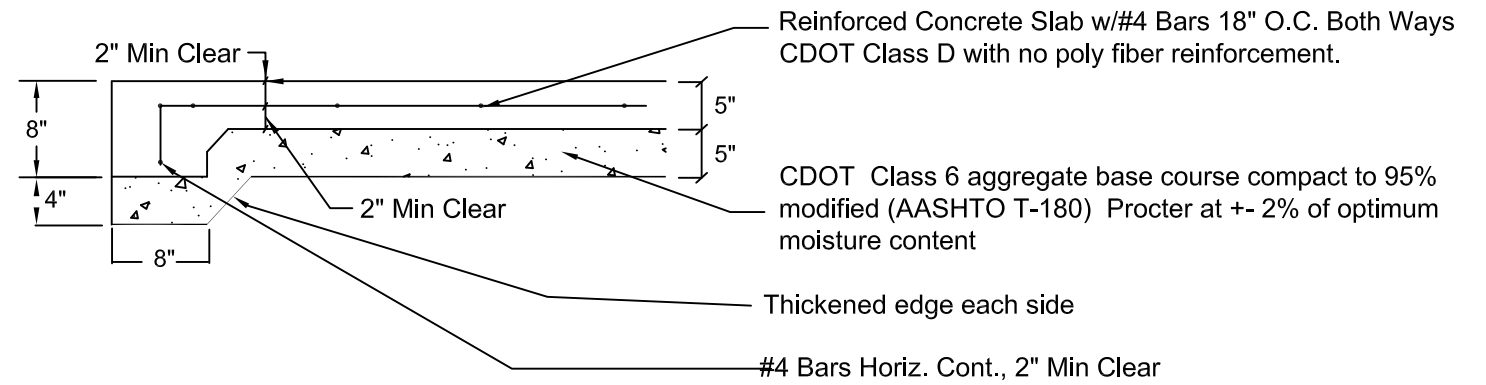


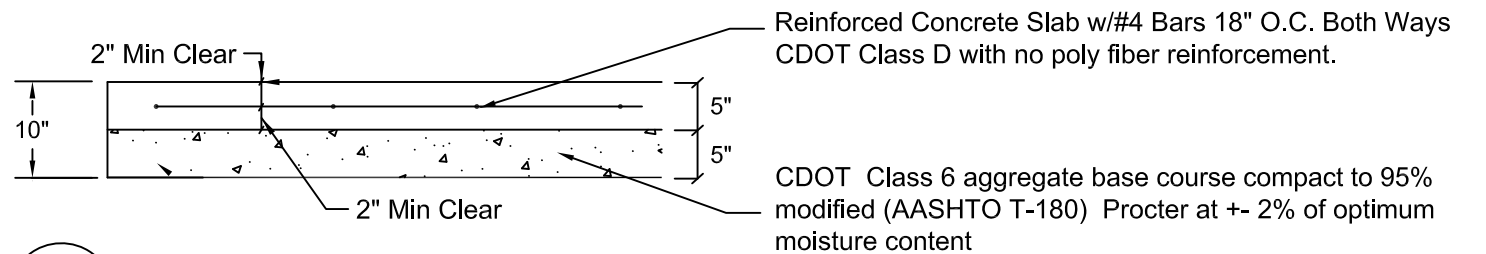
1 Court Layout



2 Court Section with Thickened Edge



3 5' Sidewalk With Thickened Edge



4 5'x10' Bench Pad

Notes:

1. All Court Lines to be 2" wide White
2. Coatings are to be Nova Play in conjunction with Nova Play II
3. Colors are to be Nova Green and Sand dune. All surface preparation and concrete finish and coating application shall be performed per manufacturers recommendations.
4. Basketball Goals to be American Super Sports First Team Legend Intensity Basketball Goal - 72 Inch FT267 42" x 72" Perforated Aluminum Backboard, FT172D Unbreakable Fixed Rim with net, FT1850 Legend 6" x 6" Extension Arm with 66" extension length and BaFT1106 6" x 6" Square Post (www.firstteaminc.com)
5. Unless specifically noted otherwise, all construction and material testing shall be in accordance with the City of Montrose Engineering Specifications.
6. Concrete mix shall demonstrate compliance with City Specification over past 18 months of at least 95% of samples taken.
7. All control joints shall be saw cut @ 10' O.C. per City of Montrose specifications within 18 hours of concrete placement.
8. Finished slab shall run at a slope of 0.5% with ASTM E1155 floor flatness = 30 and Floor levelness = 20
9. New sidewalk to be 5' width and have doweled isolation joint to tie into existing sidewalk and proposed sports court per City of Montrose specifications.
10. Proposed bench to be Dumor 165 Series PL with Cedar recycled plastic slats, 6' in length and surface mounted.
11. Proposed Solar light to be Greenshine LITA GS-LED-L30 in-ground mount per manufacturers recommendation.
12. Bench Pad to be 12'x5' with 5'x5' clear area to accommodate a wheel chair.



City of Montrose Parks and Recreation
LaRaza Park Improvements Plan

Scale: NTS 01.15.2021

Exhibit B