

MANHOLE GEOMETRY

NOTE:
 DEPTHS AND PIPE SIZES SHALL VERIFIED BY THE CONTRACTOR PRIOR TO ORDERING MATERIALS.



CITY OF MONTROSE
 ENGINEERING DEPARTMENT
 1221 64.50 RD.
 MONTROSE, CO 81401
 PH: 240-1480 FAX: 252-4780
 WWW.CITYOFMONTROSE.ORG

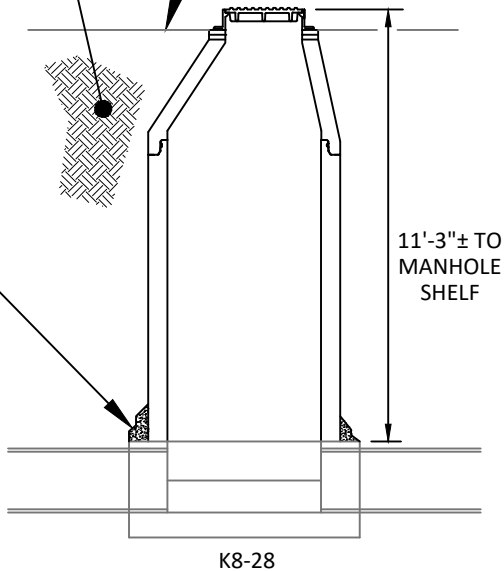
MH M9-64
 MANHOLE REBUILD
 MONTROSE, COLORADO
 PROFILE AND GEOMETRY

FIGURE
1

MOISTURE CONDITION AND
FILL IN COMPACTED LIFTS
PER CITY SPEC

DIRT EXISTING
SURFACE

GROUT SHELF
CONNECTION (TYP.)

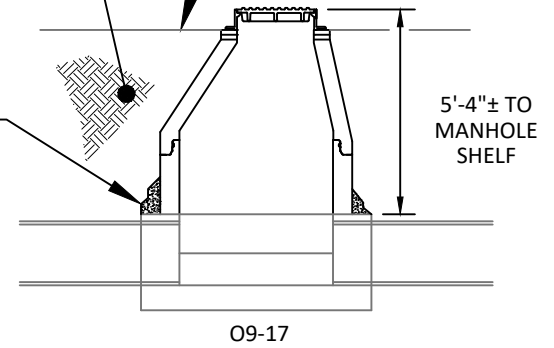


5' DIAMETER MANHOLE PROFILE

MOISTURE CONDITION AND
FILL IN COMPACTED LIFTS
PER CITY SPEC

GRAVEL EXISTING
SURFACE

GROUT SHELF
CONNECTION (TYP.)



4' DIAMETER MANHOLE PROFILE

NOTE:
DEPTHS AND PIPE SIZES SHALL VERIFIED
BY THE CONTRACTOR PRIOR TO
ORDERING MATERIALS.



CITY OF MONTROSE
ENGINEERING DEPARTMENT
1221 64.50 RD.
MONTROSE, CO 81401
PH: 240-1480 FAX: 252-4780
WWW.CITYOFMONTROSE.ORG

PROJECT TITLE 1
MANHOLE REBUILD
MONTROSE, COLORADO

PROFILE

FIGURE
2